

Ophthalmic Unit

type-840

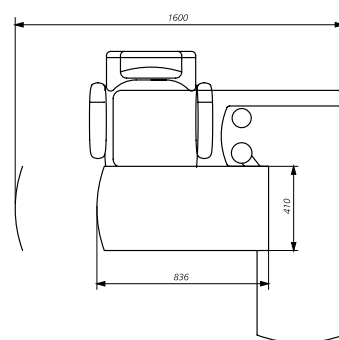
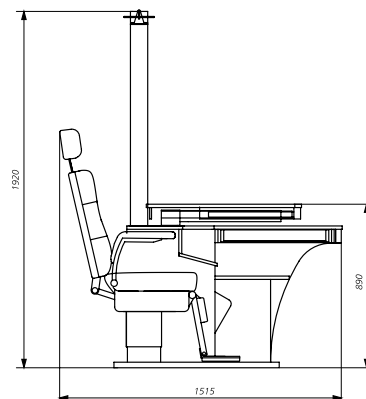
TYPE-840



eSKa

Specification

Height to table top	890 mm
Width of basis	904 mm
Length of basis	1100 mm
Height of column measured from floor	1920 mm
Table top dimensions	836 x 410 mm
Range of horizontal movement of table top	400 mm
Angle of table top arm rotation	90°
Loading capacity	60 kg
Halogen lamp on column	2 x 20 W
Weight (without chair)	165 kg
Voltage (standard)	230V / 50 Hz
Maximum power consumption	600 V A



Accessories

- ▣ chin rest adapter extensible – mounted to the table top
- ▣ chin rest adapter extensible – mounted to the frame
- ▣ chin rest adapter fixed
- ▣ cable carrier 230V
- ▣ chart projector shelf
- ▣ chart projector holder
- ▣ cushion for children (for chair)

dominating colours for units

(according to RAL standard)

